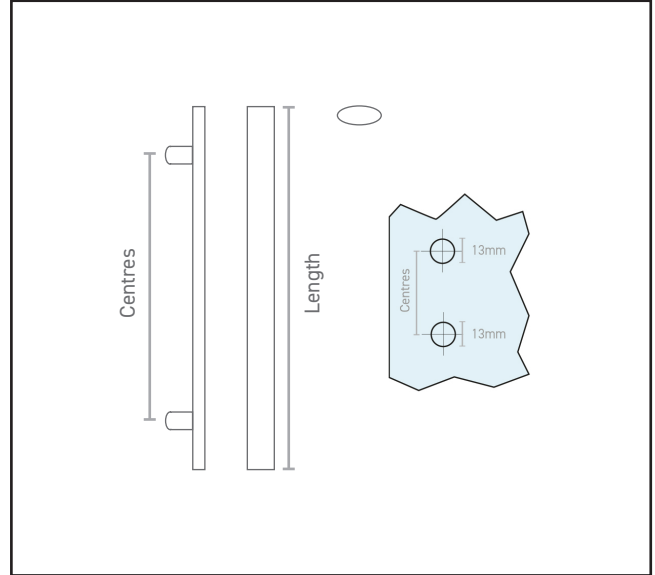
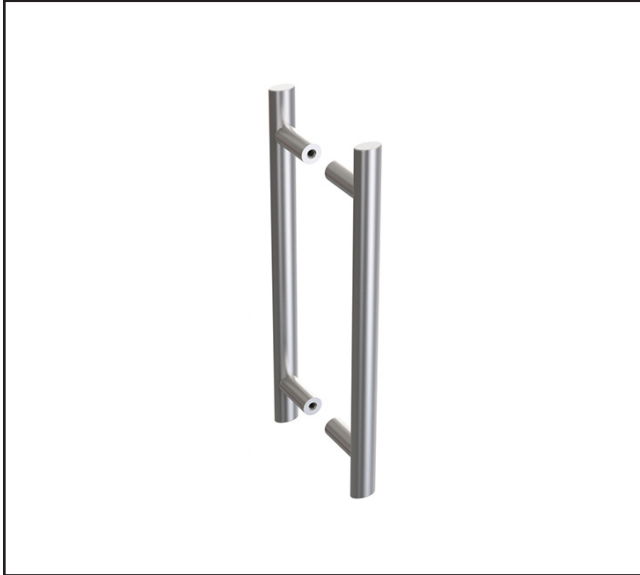


120.2816.01

Oval Section T-Bar Pull Handles - Back to Back - Solid Bar Grade 316



Product Specification

Oval Section
Back to Back
Pair

Solid Bar Grade 316
Suitable for timber, glass and aluminium doors

Specification

Finish	Satin Stainless Steel
Fixing Centres	300mm
Overall Length	400mm
Fixing Type	Back to Back
Fixing Hole Size	13mm Diameter - Glass Doors

For more information please contact

01451 824110 | sales@wellinguk.com | www.wellinguk.com

Welling Ironmongery Ltd, Unit R1, Bourton Industrial Park, Bourton on the Water GL54 2HQ