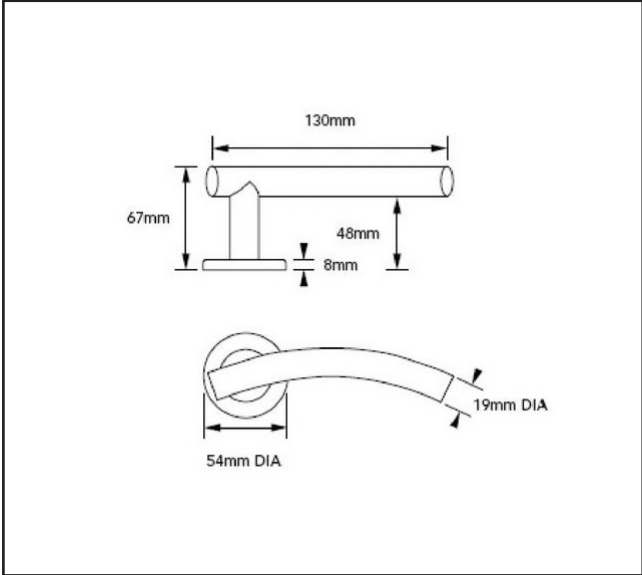


370.7781.02

CAPPELLA T-Bar Lever Handle Set - Sprung



Making Ironmongery Easy



Product Specification

CAPPELLA T-Bar Lever Handle
Sprung Rose
Pair

Specification

Finish	Polished Stainless Steel
Rose Size	52 x 6mm
Rose Type	Push on Rose
Handle Dia	19mm
Spindle	8mm
Fixings	Bolt Through
	This modern arched lever is ideal for the contemporary home or office

For more information please contact

01451 824110 | sales@wellinguk.com | www.wellinguk.com

Welling Ironmongery Ltd, Unit R1, Bourton Industrial Park, Bourton on the Water GL54 2HQ