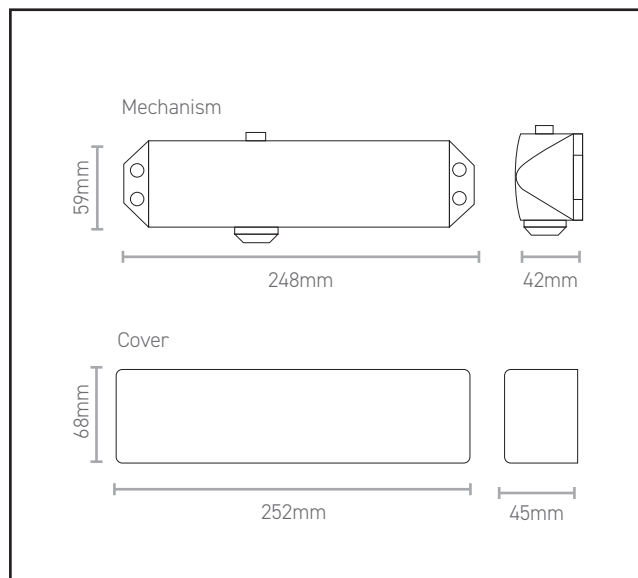


500.1194.04

1194 EN2-4 Overhead Door Closer



Product Specification

Suitable for commercial projects
Power adjustable from size 2 to 4
Backcheck and delayed action functions

Softline cover and matching armset
Matches our polished stainless steel door furniture range

Specification

Brand	RUTLAND
Finish	Polished Chrome
Power Size	EN2-4 <i>Adjustable by Valve</i>
Max Door Width	1100mm
Max Door Weight	80kg
Backcheck	Yes
Adjustable Latching Action	Yes
Adjustable Closing Speed	Yes
Delayed Action	Yes
Opening Angle	180 degrees
Mechanism	Rack and Pinion
Fire Rated	FD30/FD60
Fire Tested	BS EN 1634
Performance Tested	BS EN 1154

For more information please contact

01451 824110 | sales@wellinguk.com | www.wellinguk.com

Welling Ironmongery Ltd, Unit R1, Bourton Industrial Park, Bourton on the Water GL54 2HQ