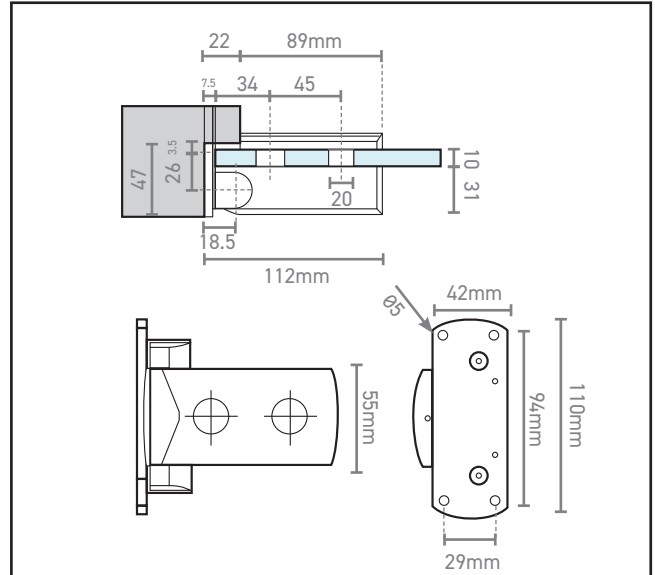


570.8160.01

Biloba 8060 - Glass-to-Frame Oil Dynamic Hinge - Non Hold Open



Product Specification

The popular Biloba 8060 oildynamic hinge, in a non-hold open version

Ideal for situations where floorsprings can not be fitted

Fully adjustable and proven on commercial projects, these hinges are high quality and very reliable

Specification

Finish	Satin Stainless Steel
Brand	COLCOM - BILOBA
Glass Thickness	10-12mm
Max Door Width	1000mm
Max Door Weight	100kg
Hold Open	No - non hold open
Adjustable	Yes
Opening Angle	0° +90°
Operating Temperatures	Between -15 °C & +40 °C

For more information please contact

01451 824110 | sales@wellinguk.com | www.wellinguk.com

Welling Ironmongery Ltd, Unit R1, Bourton Industrial Park, Bourton on the Water GL54 2HQ