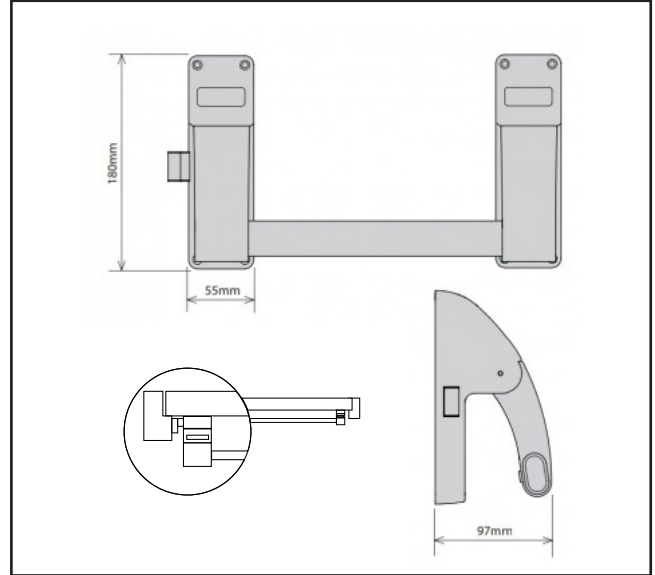
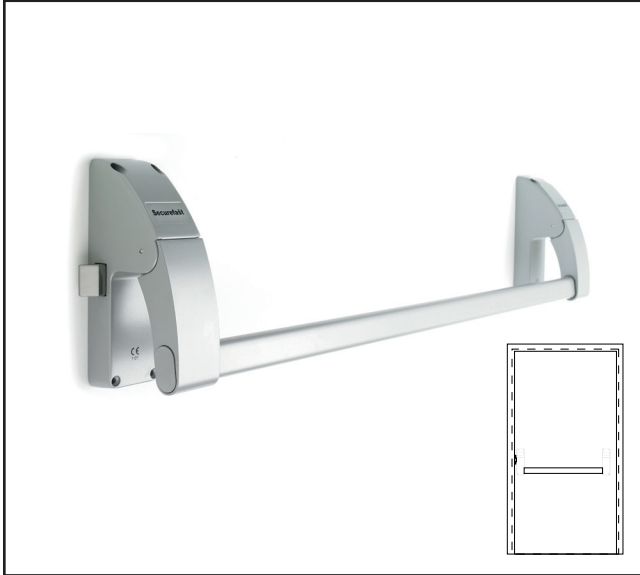


# 560.2450.18

Panic Crash Bar & Latch



## Product Specification

A panic crash bar with a latch only, no top or bottom bolts  
Includes universal keep, for timber and aluminium/metal doors & frames  
Easily reversible for left or right hand installation

## Specification

Finish	Silver
Reversible	Yes
Includes Keep	Yes, Universal
CE Marked	Yes
Fire Tested	BS EN1634-1
Salt Spray Tested	Yes, 240 Hour