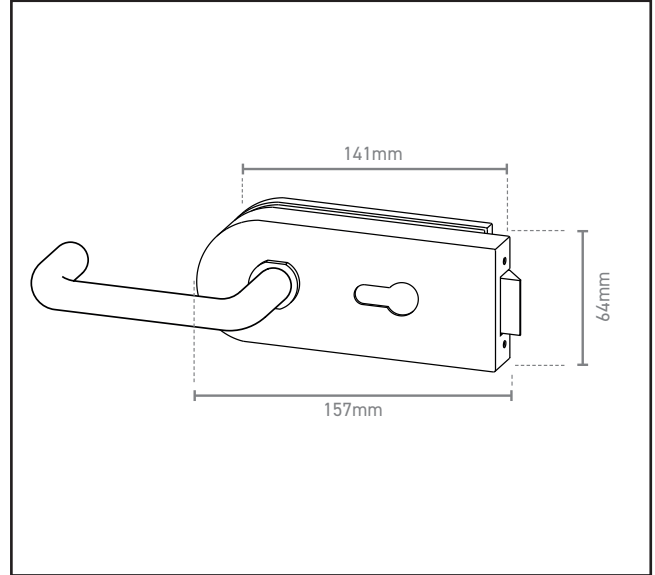


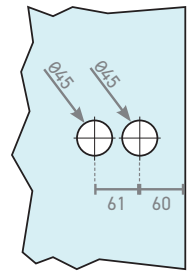
# 570.0003.01

Horizontal Patch Lock and Saftey Lever Handle - Euro Profile



## Product Specification

Use any of our standard euro cylinders with this lock, at 60mm length - not included  
Lever Handle Included



## Specification

Finish	Satin Stainless Steel
Glass Thickness	10-12mm
Levers Included	Yes
Cylinder Included	No

For more information please contact

01451 824110 | sales@wellinguk.com | www.wellinguk.com

Welling Ironmongery Ltd, Unit R1, Bourton Industrial Park, Bourton on the Water GL54 2HQ