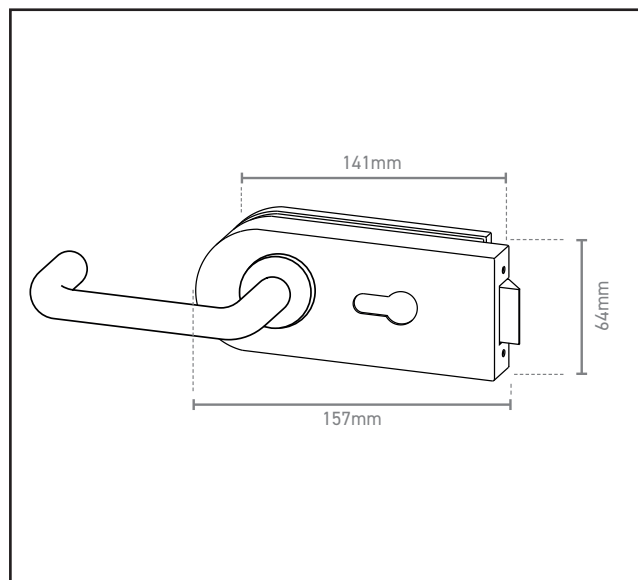


570.9300.01

Glass Patch Lock & Lever Handle to Suit Electronic Strike



Includes:

Euro profile patch lock & latch
SSS Euro cover plates
SSS Latch only cover plates
RTD Lever handle on rose

NOT Included Euro Cylinder

Specification

Finish	Satin Stainless Steel
Glass Thickness	10-12mm
Levers Included	Yes
Cylinder Included	No
Rose Included	Yes
Sold as	Set

For use with electronic strike plate where lever handle operation is only needed one side.

Cut spindle down to appropriate length, so it only engages with lever handle on the side required. Then grub screw the spindle into position to ensure the spindle stays secure. Lever handle on other side is fixed by the back to back fixings supplied, but the spindle doesn't connect with this handle, rendering the external side lever handle inactive in retracting the latch mechanism.

Ideal for applications where the outside is accessible by activation of the electronic strike (by a suitable proximity reader) and the lever handle is 'dummy' and inside the handle retracts the latch for exit without any fob needed. Either fit with latch cover plates (if secondary entry option via Euro Cylinder from external side isn't needed) or with Euro cover plates if you want to retain the option of entrance from outside using the cylinder & respective key

For more information please contact

01451 824110 | sales@wellinguk.com | www.wellinguk.com

Welling Ironmongery Ltd, Unit R1, Bourton Industrial Park, Bourton on the Water GL54 2HQ