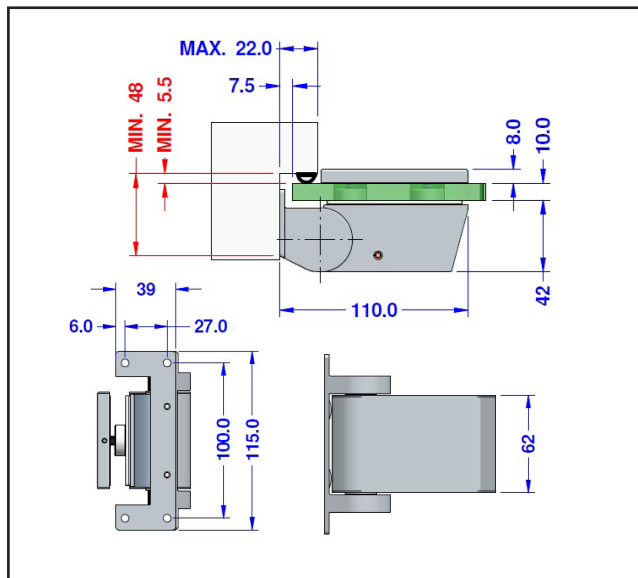


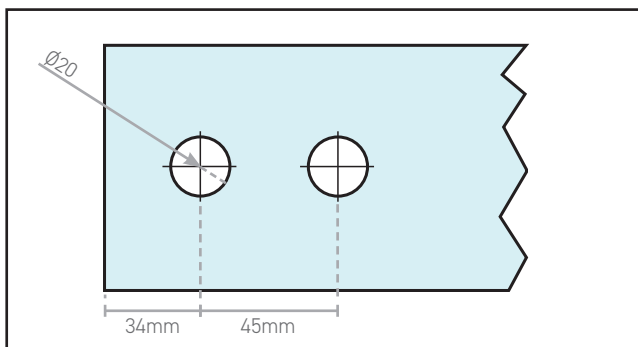
570.0845.01

FORTIS - Hydraulic hinge - Glass to Rebated Frame



Product Specification

Fortis 845 SSS hydraulic glass door hinge
hold open – glass to rebated frame.
Sold each



Specification

| | |
|-----------------|-----------------------|
| Finish | Satin Stainless Steel |
| Range | Fortis |
| Glass Thickness | 10-12mm |
| Max Door Width | 1000mm |
| Max Door Weight | 100kg |
| Opening Angle | 0° + 90° |
| | |

For more information please contact

01451 824110 | sales@wellinguk.com | www.wellinguk.com

Welling Ironmongery Ltd, Unit R1, Bourton Industrial Park, Bourton on the Water GL54 2HQ