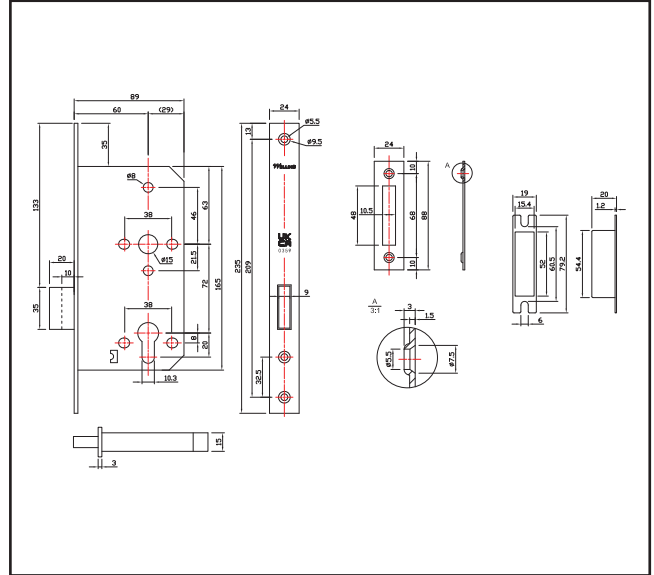


640.0015.01

DIN Euro Deadlock – 60mm backset – Satin Stainless Steel



Product Specification
Strike and Dust box included.

Specification

Finish	Satin Stainless Steel
Backset	60mm
Case Depth	72mm
Follower Size	8mm
Forend	Square
Forend Size	L 235mm x W 24mm x T 3mm
Handed	Non Handed
UKCA Marked	Yes
Fire Rated	240 Minutes
Tested	EN12209
Tested	EN 1634-1
Guarantee	10 Years



